

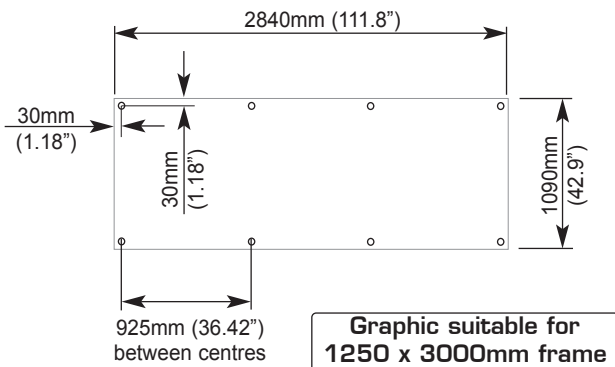
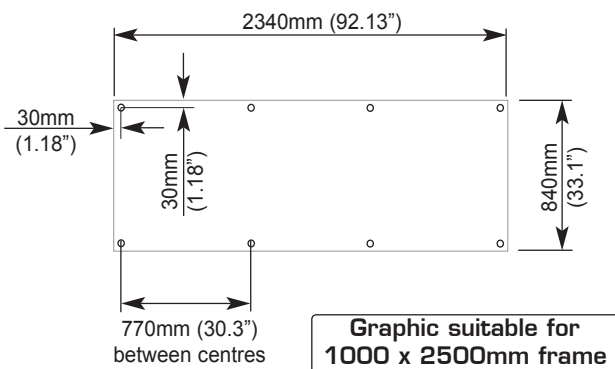


A large format banner 'A' frame made from lightweight aluminium, ideal for use with PVC eyelet banners. Available in two sizes Monsoon is very easy to use, reusable and is the perfect graphics carrier for venues, events, exhibitions, promotions and indoor or outdoor shows.

### features & benefits

- Indoor or outdoor banner system
- Suitable for single or double sided display
- 2 frame sizes 1000mm x 2500mm and 1250mm x 3000mm
- Extension kits available
- Natural finish 25mm (1") square aluminium tubes with reinforced plastic mouldings
- Easy push-fit assembly, no tools necessary
- Graphics are secured to the frame with elastic bungee cords
- Supplied complete carry bag
- Flat packs for easy transportation
- Recommended for use in wind conditions upto Beaufort Scale 5

### Graphic dimensions & eyelet locations



All dimensions are approx.

### Extension kits

#### 1000 x 2500 frame

Each extension kit increases the assembled width by 1237.50mm (48.72") approx

#### 1250 x 3000 frame

Each extension kit increases the assembled width by 1487.50mm (58.56") approx

**To calculate graphic widths deduct 160mm (6.30") approx from the extended frame size**



#### Extension kits include:

- Horizontal tube x4
- Centre 'A' frame x1
- Ground peg x2
- Elastic bungee cord x8

### hardware specifications

Assembled Dimensions (mm)  
**1000 x 2500 frame**  
 975 (h) x 2500 (w) x 640 (d) approx  
 38.39" (h) x 98.43" (w) x 25.20" (d) approx  
**1250 x 3000 frame**  
 1200 (h) x 3000 (w) x 795 (d) approx  
 47.24" (h) x 118.11" (w) x 31.30" (d) approx  
 Weight (including carry bag):  
**1000 x 2500 frame** 8kg (17.6lbs) approx.  
**1250 x 3000 frame** 9kg (19.8lbs) approx.

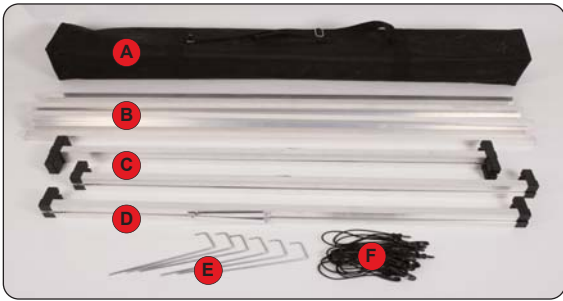
### graphic specifications

Visible Graphic Dimensions (mm):  
 As above diagrams  
 Substrate:  
 Lightweight outdoor banner material (solid or mesh type substrates)  
 Eyelets:  
 Graphic requires 8 off eyelets with 11.5mm (0.45") recommended minimum internal diameter.

### additional info

Recommended Accessories:  
 1250mm x 150mm diameter cardboard/tube carry bag for transporting graphics  
 1000 x 2500 Extension kit  
 1250 x 3000 Extension kit

# Assembly Instructions



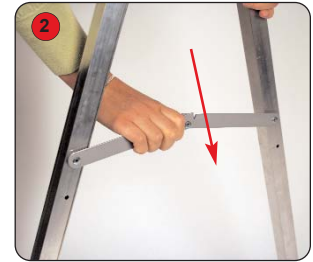
## Kit Includes:

Carry bag (A) Horizontal tube x8 (B)  
Centre 'A' frame x1 (C) End 'A' frame x 2 (D)  
Ground peg x6 (E) and Elastic bungee cord x24 (F)

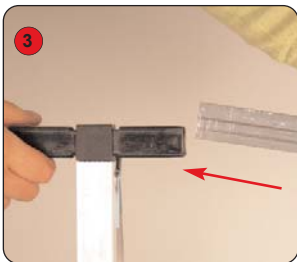
## Frame assembly



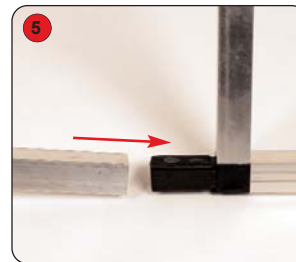
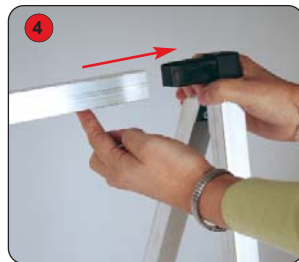
Open up all the End and Centre 'A' frames



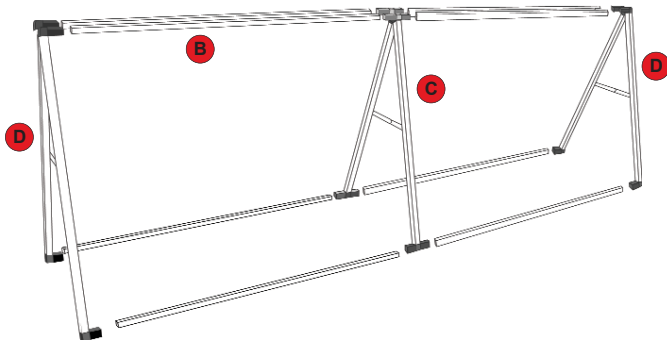
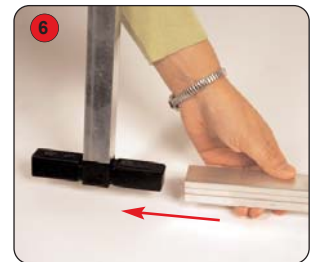
Push each locking arm down to secure the frame



Push fit the top horizontal tubes into the 'A' frames, ensure the plastic joiners face inwards



Push fit the bottom horizontal tubes into the 'A' frames, ensure the plastic joiners face inwards



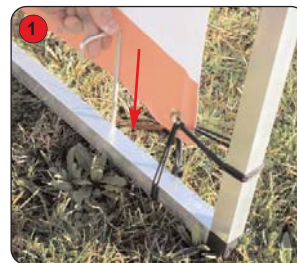
## Graphic attachment



Pass the elastic bungee cord through the graphic eyelet and around the frame to secure

Corner eyelets require a bungee cord loop around the top and the side of the frame to secure

## Ground peg fixing



To secure the frame to grassed areas, push or hammer the ground peg into the ground



Ensure the ground peg covers the horizontal tube